



Standard Electric

No Hot Water



ELECTRICAL TEST KIT

PART#: 109952



Klein® Tools 600 Amp AC Clamp Meter

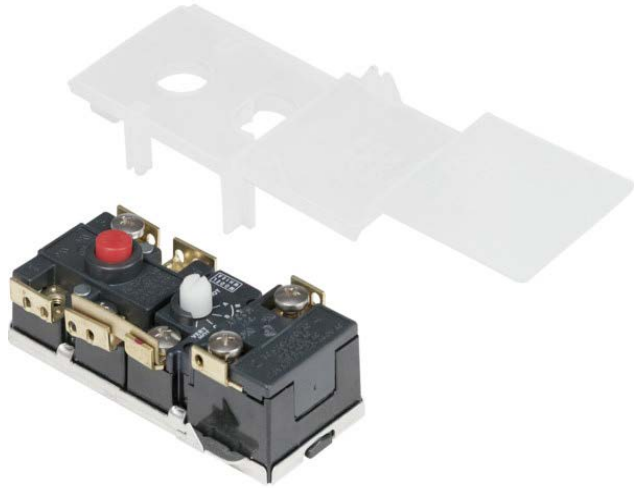
PART#: 504253



Incoloy Water Heater Element 3800/240

AO Smith® Water Heater Replacement Element - Factory Authorized Genuine Replacement
Part - 240 Volt, 3800 Watt, 1" Threads - 13-1/8" Length - Highest Quality Element Material -
Longest Life Incoloy® Nickel Alloy Low Watt Density Element - Mfg #9000225015

PART#: 754234



Apcom[®] Electric Water Heater Thermostat Double Throw

Part#: 206800



Apcom[®] Electric Water Heater Thermostat Single Throw

Part #: 206830



Water Heater Element Socket

Part #: 500738



Standard Electric
Not Enough Hot Water



ELECTRICAL TEST KIT

PART#: 109952



Klein® Tools 600 Amp AC Clamp Meter

PART#: 504253



SharkBite® Thermostatic Mixing Valve

PART#: 640327



Mixing Valves

PART#: 400559



Incoloy Water Heater Element 3800/240

AO Smith® Water Heater Replacement Element - Factory Authorized Genuine Replacement
Part - 240 Volt, 3800 Watt, 1" Threads - 13-1/8" Length - Highest Quality Element Material -
Longest Life Incoloy® Nickel Alloy Low Watt Density Element - Mfg #9000225015

PART#: 754234



Mobile-Shop Tool Service Bag

Part #: 129481